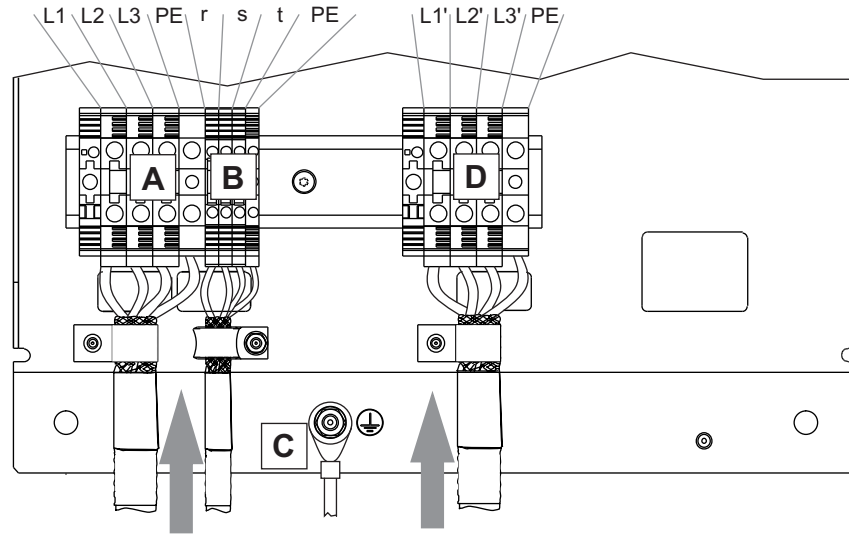


## Electrical installation



For choosing conductor cross section, cable style and detailed wiring, read latest version of Yaskawa D1000 technical manual



connect wiring on this terminal side!

### terminal size and tightening torque

LCL-filter type B84143...	A POWER SUPPLY		B D1000 voltage detection		C PE filter frame		D D1000 main circuit	
	terminal size mm <sup>2</sup>	torque Nm	terminal size mm <sup>2</sup>	torque Nm	bolt size	torque Nm	terminal size mm <sup>2</sup>	torque Nm
G0008R176	4	0.5...1	2.5	0.4...0.8	M6	3±0.15	4	0.5...1
G0016R176	4	0.5...1	2.5	0.4...0.8	M6	3±0.15	4	0.5...1
G0030R176	10	1.2...1.9	2.5	0.4...0.8	M6	3±0.15	10	1.2...1.9
G0043R176	16	2...3.6	2.5	0.4...0.8	M8	6±0.3	16	2...3.6
G0058R176	35	5...6	2.5	0.4...0.8	M8	6±0.3	35	5...6



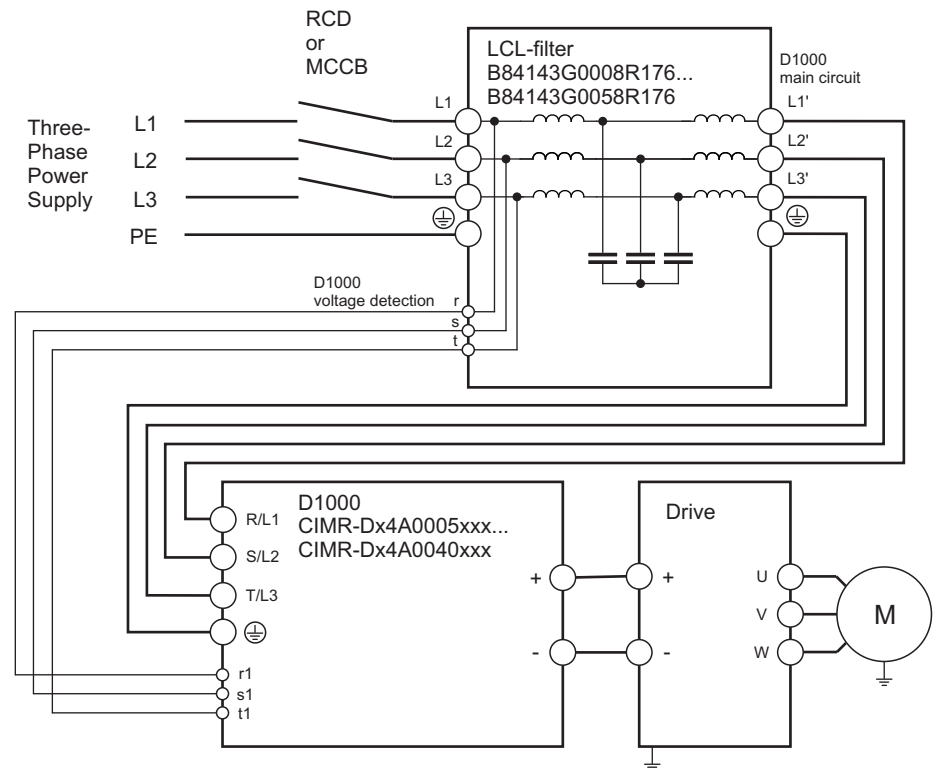
Reading and understanding „Cautions and warnings“ as well as „important notes“ in the latest datasheet version of the dedicated LCL-filter is mandatory before installation!

## Installation guide

### Characteristics

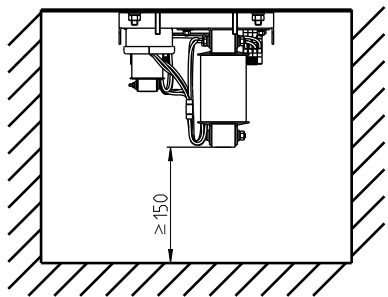
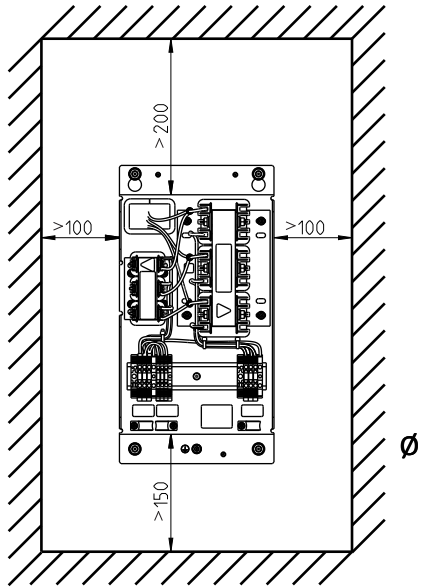
$I_r$	terminal cross section LINE/LOAD mm <sup>2</sup>	terminal cross section voltage detection mm <sup>2</sup>	$R_{typ}$ mΩ	Approx. weight kg	LCL-filter type	Converter type CIMR-
8	4	2.5	268	9	B84143G0008R176	Dx4A0005xxx
16	4	2.5	98	18	B84143G0016R176	Dx4A0010xxx
30	10	2.5	38	28	B84143G0030R176	Dx4A0020xxx
43	16	2.5	26	37	B84143G0043R176	Dx4A0030xxx
58	35	2.5	17	64	B84143G0058R176	Dx4A0040xxx

### Standard connection diagram



## Mechanical installation

convection space



mounting direction

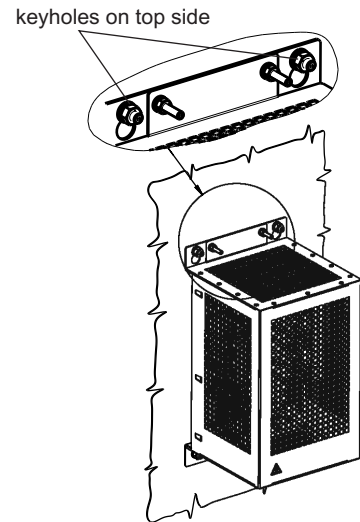
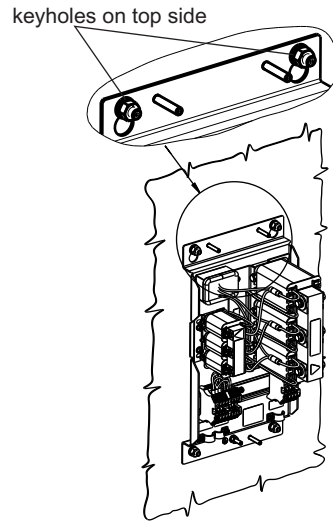
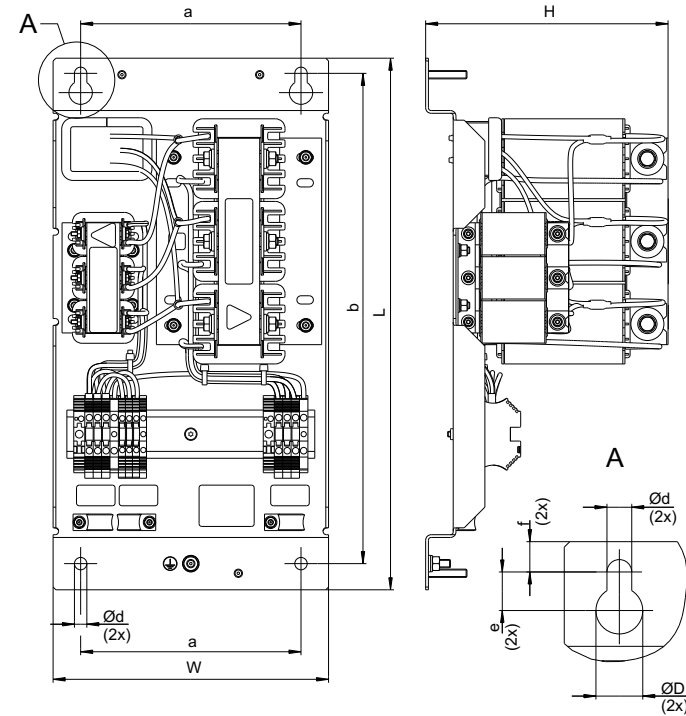


illustration with optional cover

dimensions



LCL-filter type B84143...	W	L	H ±5	a	b	d	D	e	f
G008R176	200	386	176	160	356	9	17	14	11
G016R176	320	426	234	280	396	9	17	14	11
G030R176	320	426	236	280	396	9	17	14	11
G043R176	430	436	286	390	406	9	17	14	11
G058R176	430	436	286	390	406	9	17	14	11

Tightening torque for fixing screws:

For standard screw connection to the filter attachment it is referred to state-of-the-art solutions, as the tightening torques depend on the nominal size, length, strength class, corrosion protection and lubricants