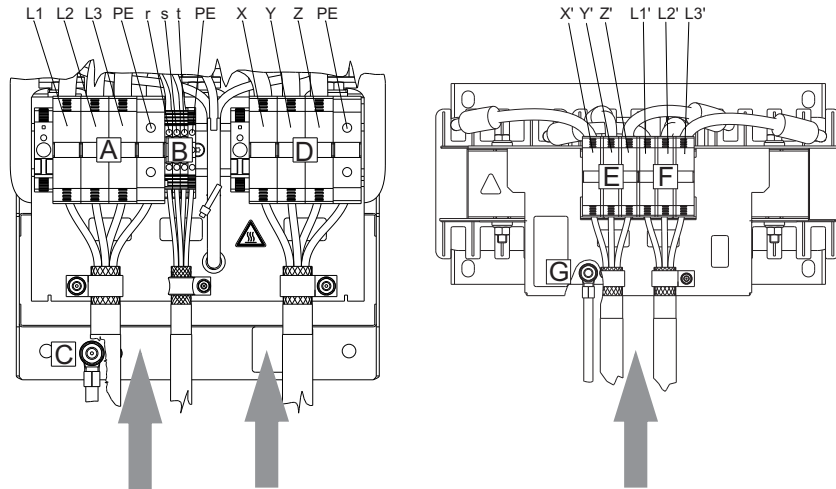


Electrical installation



For choosing conductor cross section, cable style and detailed wiring, read latest version of Yaskawa D1000 technical manual



connect wiring on this terminal side!

terminal size and tightening torque

LCL-filter type harmonic module B84143...	A POWER SUPPLY		B D1000 voltage detection		C PE filter frame		D 10% choke module	
	terminal size mm ²	torque Nm	terminal size mm ²	torque Nm	bolt size	torque Nm	terminal size mm ²	torque Nm
G0086R176	50	4...6	2.5	0.4...0.8	M8	6±0.3	50	4...6
G0145R176	70	8...12	2.5	0.4...0.8	M8	6±0.3	70	8...12

LCL-filter type 10% choke module B84143...	E Harmonic module		F D1000 main circuit		G PE filter frame	
	terminal size mm ²	torque Nm	terminal size mm ²	torque Nm	bolt size	torque Nm
G0086R176	50	4...6	50	4.6	M8	6±0.3
G0145R176	70	8...12	70	8...12	M8	6±0.3



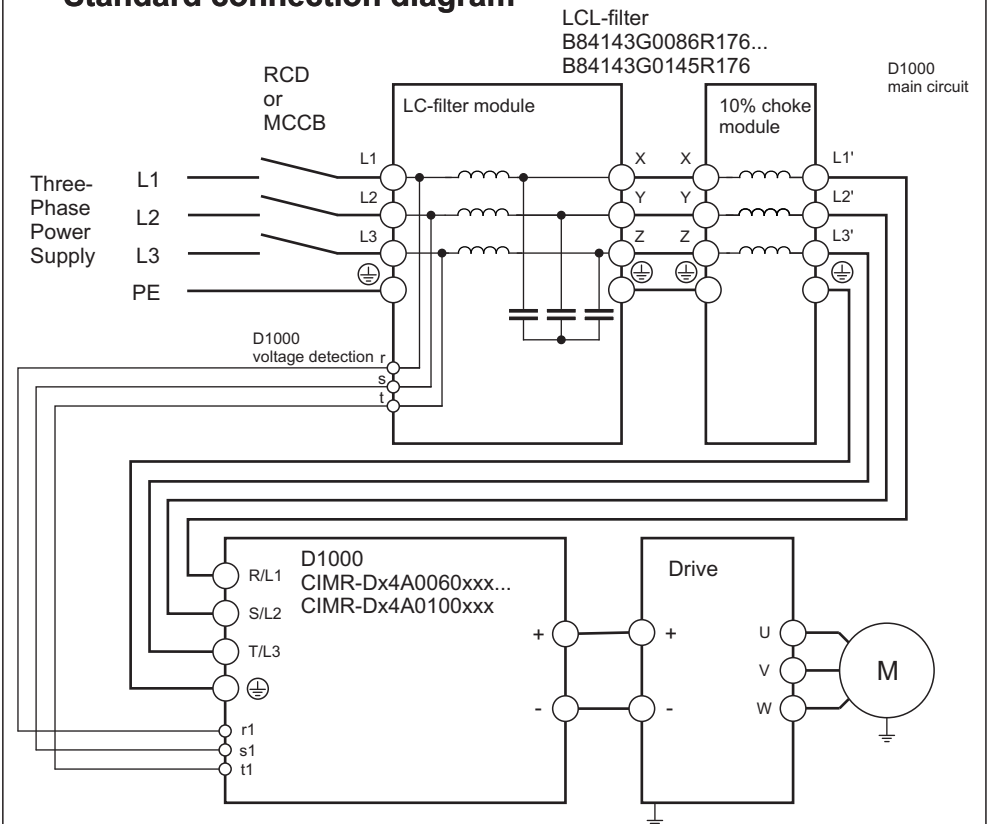
Reading and understanding „Cautions and warnings“ as well as „important notes“ in the latest datasheet version of the dedicated LCL-filter is mandatory before installation!

Installation guide

Characteristics

I_R	terminal cross section LINE/LOAD mm ²	terminal cross section voltage detection mm ²	R_{typ} mΩ	Approx. weight kg	LCL-filter type	Converter type CIMR-
A						
86	50	2.5	10	90	B84143G0086R176	Dx4A0060xxx
145	70	2.5	6	130	B84143G0145R176	Dx4A0100xxx

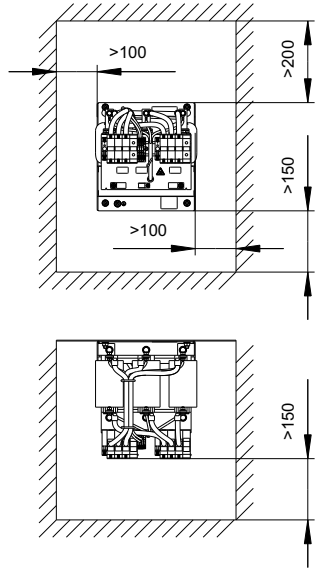
Standard connection diagram



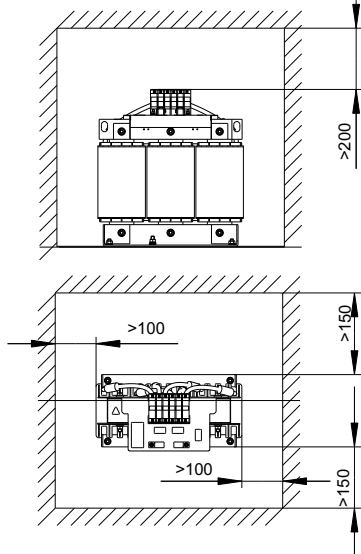
Mechanical installation

convection space

3% choke with capacitors

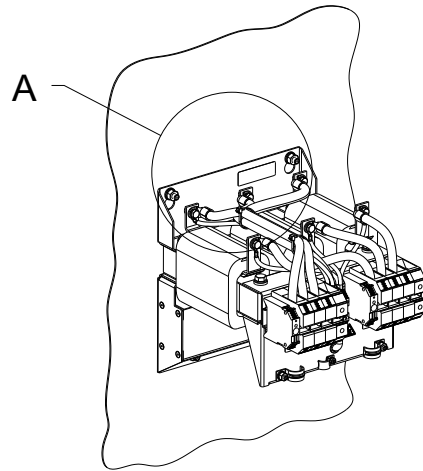


10% choke

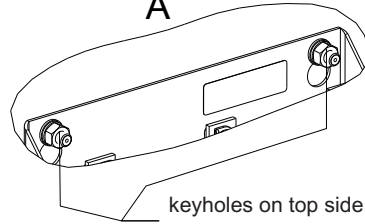


mounting direction

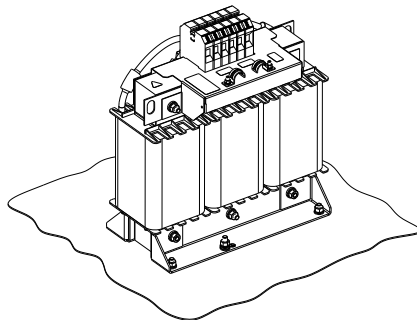
3% choke with capacitors



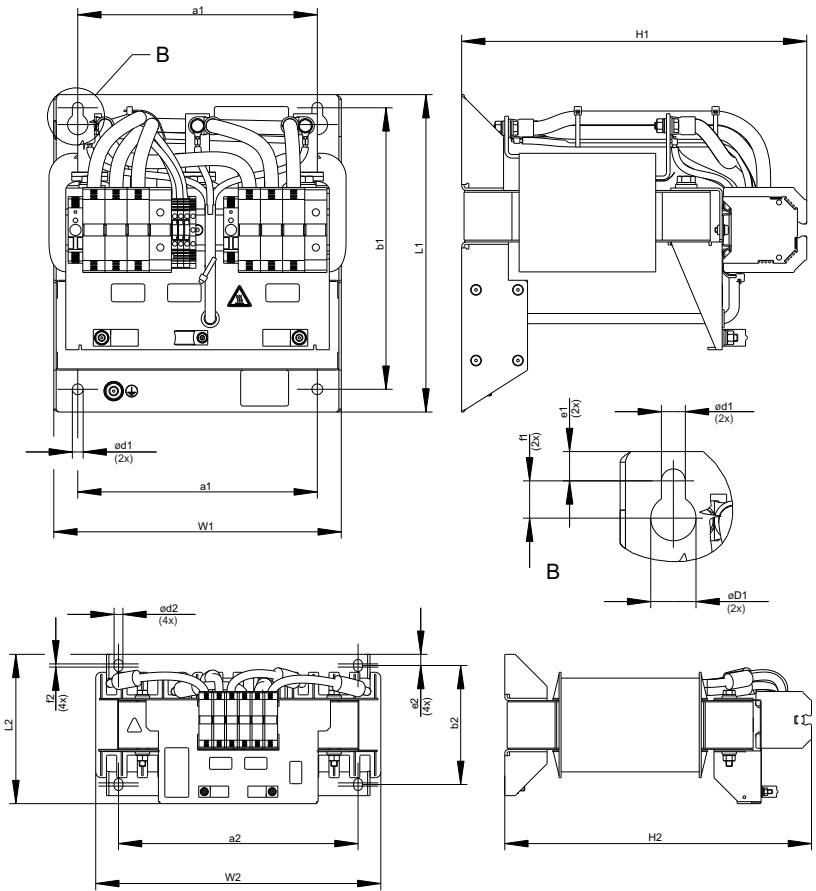
A



10% choke



dimensions



LCL-filter B84143...	L1	W1	H1 ±5	d1	D1	a1	b1	e1	f1	L2 max.	W2 max.	H2 max.	d2	a2	b2	e2	f2
...G0086R176	265	240	288	9	17	200	235	11	14	187	360	390	11	300	149	14	4
...G0145R176	328	240	303	9	17	200	298	11	14	390	365	405	11	300	200	14	4

Tightening torque for fixing screws:

For standard screw connection to the filter attachment it is referred to state-of-the-art solutions, as the tightening torques depend on the nominal size, length, strength class, corrosion protection and lubricants