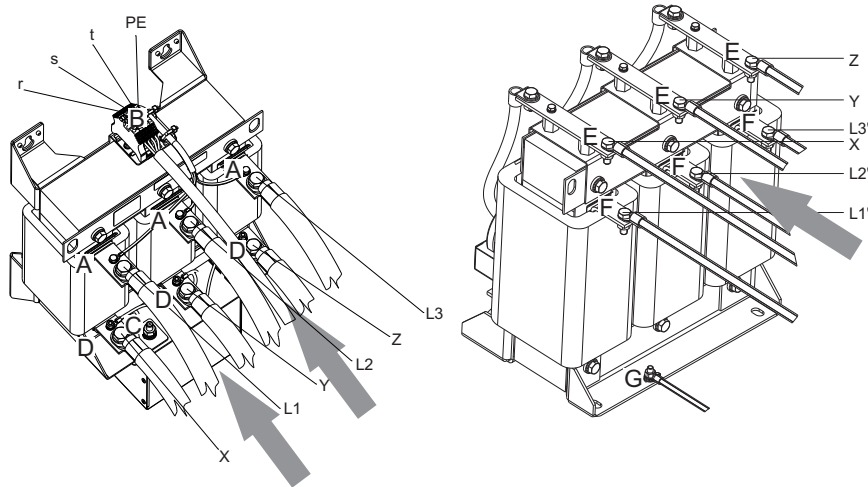


Electrical installation



For choosing conductor cross section, cable style and detailed wiring, read latest version of Yaskawa D1000 technical manual



connect wiring on this terminal and busbar side!

terminal size and tightening torque

LCL-filter type B84143...	A POWER SUPPLY terminal size mm ²		B D1000 voltage detection terminal size mm ² torque Nm		C PE filter frame bolt size torque Nm		D 10% choke module terminal size mm ²
	G0210S176	busbar	2.5	0.4...0.8	M8	6±0.3	
G0300S176	busbar	2.5	0.4...0.8	M8	6±0.3	busbar	

LCL-filter type 10% choke module B84143...	E Harmonic module terminal size mm ²	F D1000 main circuit terminal size mm ²	G PE filter frame bolt size torque Nm	
			G0210S176	busbar
G0300S176	busbar	busbar	M12	12±1



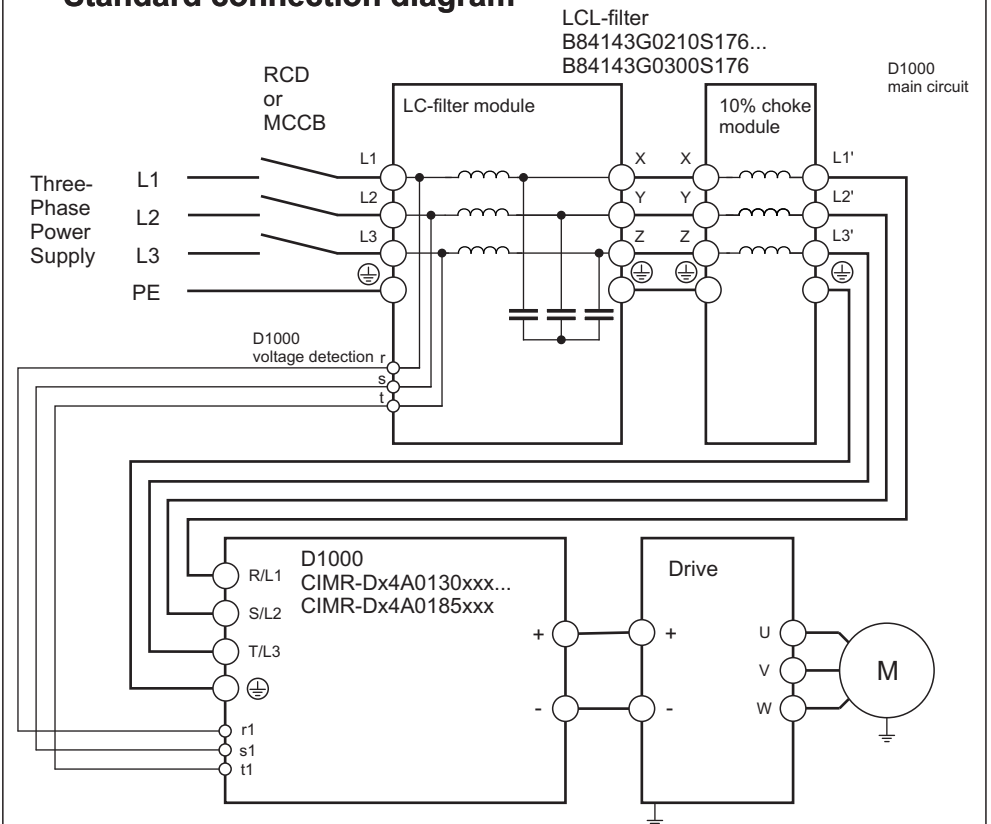
Reading and understanding „Cautions and warnings“ as well as „important notes“ in the latest datasheet version of the dedicated LCL-filter is mandatory before installation!

Installation guide

Characteristics

I_R	terminal cross section LINE/LOAD mm ²	terminal cross section voltage detection mm ²	R_{typ} mΩ	Approx. weight kg	LCL-filter type	Converter type CIMR-
A						
210	busbar	2.5	3	180	B84143G0210S176	Dx4A0130xxx
300	busbar	2.5	2.3	210	B84143G0300S176	Dx4A0185xxx

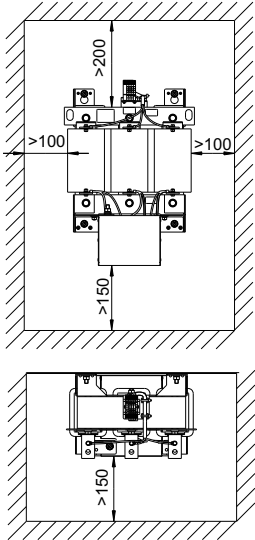
Standard connection diagram



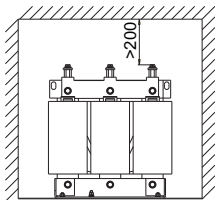
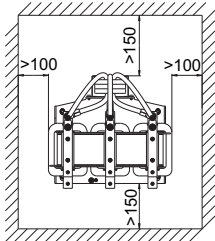
Mechanical installation

convection space

3% choke with capacitors

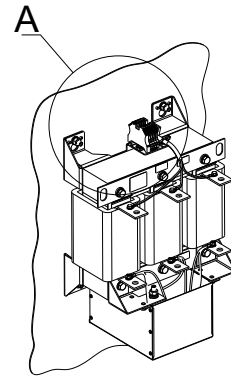


10% choke

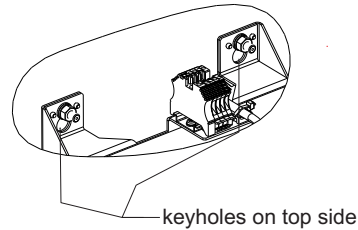


mounting direction

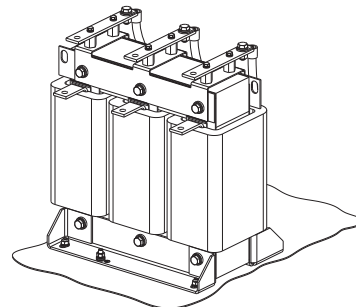
3% choke with capacitors



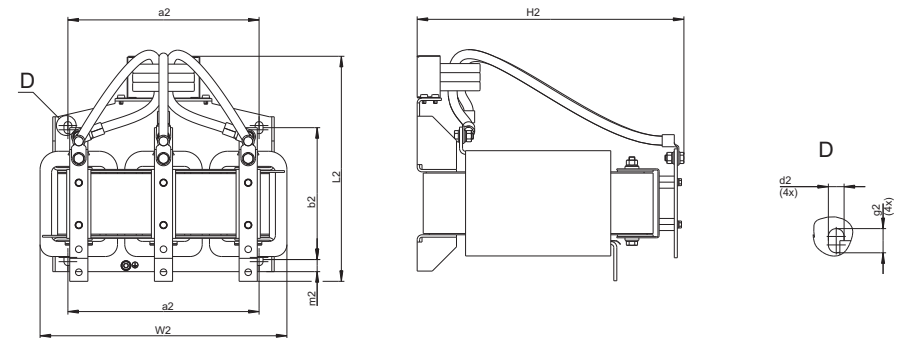
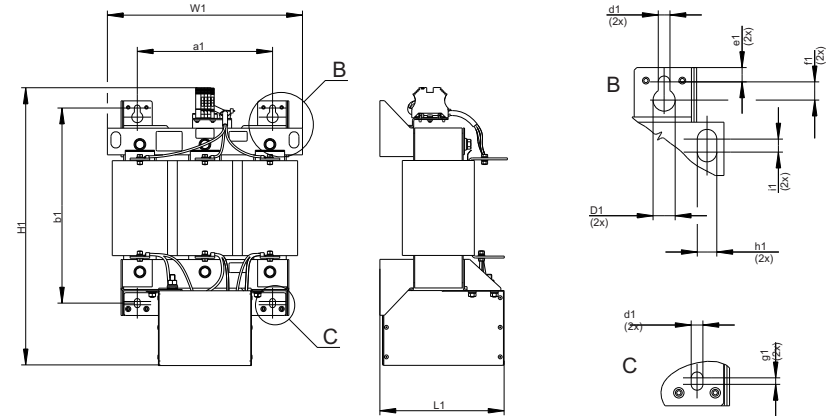
A



10% choke



dimensions



LCL-filter B84143...	L1	W1	H1 ±5	d1	D1	a1	b1	e1	f1	g1	h1	i1	L2 max.	W2 max.	H2 max.	d2	a2	b2	g2	m2
...G0210S176	206	300	438	9	17	208	311	11	14	5	15	10	400	420	445	13	316	218	20	20
...G0300S176	216	300	437	9	17	208	310	11	14	5	15	10	550	440	490	13	345	325	20	18

Tightening torque for fixing screws:

For standard screw connection to the filter attachment it is referred to state-of-the-art solutions, as the tightening torques depend on the nominal size, length, strength class, corrosion protection and lubricants