

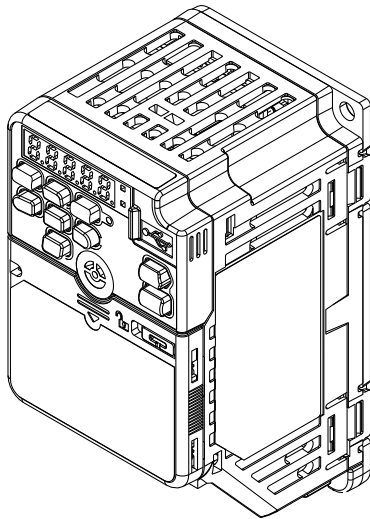
## YASKAWA AC Drive GA500

### Finless-Type Drive

# Installation Manual

Model: CIPR-GA50xxxxAJxx  
Type: 200 V Class, Single-Phase Input: 0.1 to 3.0 kW  
200 V Class, Three-Phase Input: 0.1 to 18.5 kW  
400 V Class, Three-Phase Input: 0.2 to 18.5 kW

To properly use the product, read this manual thoroughly and retain for easy reference, inspection, and maintenance. Ensure the end user receives this manual.



---

**This Page Intentionally Blank**

# Table of Contents

---

1.	Receiving .....	5
	Applicable Documentation .....	5
	Glossary .....	5
2.	General Safety .....	5
	Supplemental Safety Information .....	5
	Section Safety .....	6
3.	Overview .....	6
4.	Receiving .....	6
	How to Read the Model Number .....	8
5.	Conditions .....	9
	Installation Environment .....	9
	Heatsink Plate Temperature .....	10
	Monitor Heatsink Plate Temperature .....	11
	Overheat Alarm Level .....	12
	Surface Finish of Metal Surface .....	12
	Thermal Compound .....	12
	Installation Position and Clearances .....	12
	Drive Watt Loss .....	13
	Heavy Duty Rating (HD): Carrier Frequency = 2 kHz .....	13
	Heavy Duty Rating (HD): Carrier Frequency = Default Setting .....	15
	Normal Duty Rating (ND) .....	17
	Screw Sizes and Tightening Torques .....	18
	Install the Drive .....	19
	Derating Depending on Ambient Temperature .....	20

---

6.	Maintenance . . . . .	21
	Part Replacement Guidelines . . . . .	21
7.	Drive Exterior and Mounting Dimensions . . . . .	22
	B001 to B004, 2001 to 2006 . . . . .	22
	B006 to B012, 2008 to 2021, 4001 to 4012 . . . . .	23
	2030 - 2070, 4018 - 4038 . . . . .	25
8.	External Heatsink Selection . . . . .	26
	Necessary Data for External Heatsink Selection . . . . .	27
	External Heatsink Selection Methods . . . . .	27
	Select External Heatsink by Thermal Resistance . . . . .	28
	Examine Feasibility of the Selected External Heatsink . . . . .	29
	External Heatsink Selection . . . . .	29
	Select External Heatsink by Thermal Resistance . . . . .	30
	Examine Feasibility of the Selected External Heatsink . . . . .	30
9.	Conditions of Acceptability . . . . .	30
	Revision History . . . . .	33

## 1 Receiving

### ◆ Applicable Documentation

Document	Description
YASKAWA AC Drive GA500 Finless-Type Drive Installation Manual	This manual gives information about how to install GA500 Finless-Type Drive.
YASKAWA AC Drive Manuals	Refer to the manual packaged with the drive for basic information about the drive. Refer to the Technical Manual for more information about programming and parameter settings. You can download the Technical Manual from the Yaskawa website shown on the back cover of this manual.

### ◆ Glossary

Terminology Used in this Document	Description
Drive	YASKAWA AC Drive GA500 Finless-Type Drive

## 2 General Safety

### ◆ Supplemental Safety Information

**▲ DANGER** This signal word identifies a hazard that will cause serious injury or death if you do not prevent it.

**▲ WARNING** This signal word identifies a hazard that can cause death or serious injuries if you do not prevent it.

**▲ CAUTION** This signal word identifies a hazardous situation, which, if not avoided, can cause minor or moderate injury.

**NOTICE** This signal word identifies a property damage message that is not related to personal injury.

## ◆ Section Safety

### General Precautions

- Some figures in the instructions include options and drives without covers or safety shields to more clearly show the inside of the drive. Replace covers and shields before operation. Use options and drives only as specified by the instructions.
- The figures in this manual are examples only. All figures do not apply to all products included in this manual.
- Yaskawa can change the products, specifications, and content of the instructions without notice to make the product and/or the instructions better.
- If you damage or lose these instructions, contact a Yaskawa representative or the nearest Yaskawa sales office on the rear cover of the manual, and tell them the document number on the front cover to order new copies.

## 3 Overview

Finless-type drives do not have cooling fins, which are the main heat-generating component of the drive. The finless-type drive uses the enclosure panel (metal plate) as a cooling fin to release the heat generated by the drive. This will let you install the drive in a smaller enclosure panel.

Finless-type drives are recognized components by UL (Underwriters Laboratories Inc.).

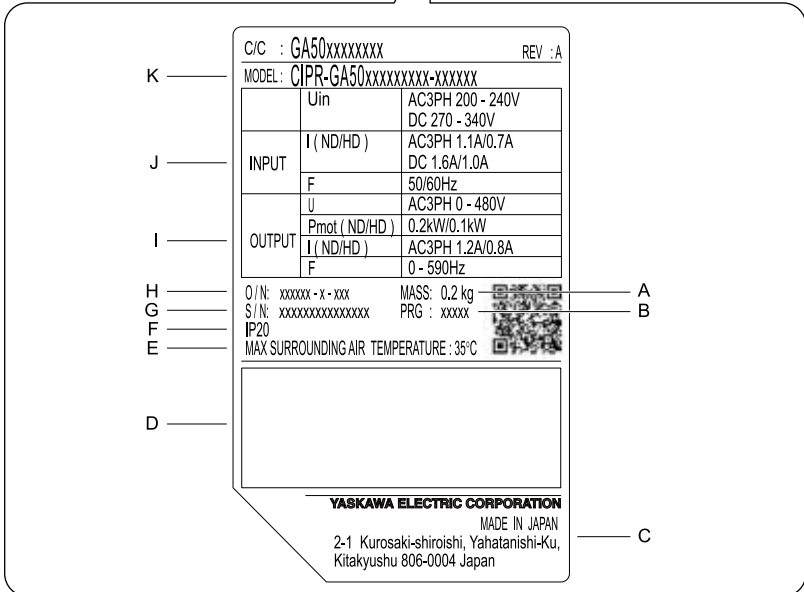
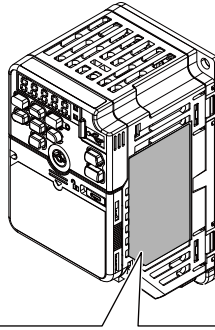
Machines and devices integrated with this product must satisfy *Conditions of Acceptability on page 30* conditions for compliance with UL standards.

## 4 Receiving

1. Examine the drive for damage or missing parts. Immediately contact the shipping company if the drive is damaged. The Yaskawa warranty does not cover damage from shipping.
2. Examine the drive model number to make sure that you received the correct model. Examine the model number in the “MODEL” section of the drive nameplate to make sure that you received the correct model.
3. Contact your supplier or Yaskawa sales office if you received an incorrect drive model or if the drive does not operate correctly.
4. When you operate more than one drive, check all drives and motors separately.

### NOTICE

*Do not operate a drive or connected equipment that has damaged or missing parts. You can cause damage to the drive and connected equipment.*



- |   |                                  |
|---|----------------------------------|
| <b>A - Weight</b>   | <b>G - Serial number</b>         |
| <b>B - Drive software version</b>   | <b>H - Lot number</b>            |
| <b>C - The address of the head office of Yaskawa Electric Corporation</b> | <b>I - Output specifications</b> |
| <b>D - Accreditation standards</b>  | <b>J - Input specifications</b>  |
| <b>E - Ambient temperature specification</b>                              | <b>K - Drive Model</b>           |
| <b>F - Enclosure Protection Design</b>                                    |                                  |

**Figure 4.1 Nameplate Information Example**

### ◆ How to Read the Model Number

Use the information in [Figure 4.2](#) and [Table 4.1](#) to read the drive model numbers.

CIPR - GA50 A 4 004 A J A A  
1 2 3 4 5 6 7 8 9

**Figure 4.2 Drive Model**

**Table 4.1 Model Number Details**

No.	Description
1	Drive
2	Product series
3	Region code <ul style="list-style-type: none"> <li>• A: Japan</li> <li>• B: China</li> <li>• C: Europe</li> <li>• T: Asia (Singapore, Taiwan, India, and Korea)</li> <li>• U: Americas</li> </ul>
4	Input power supply voltage <ul style="list-style-type: none"> <li>• B: Single-Phase AC 200 V Class</li> <li>• 2: Three-Phase AC 200 V Class</li> <li>• 4: Three-Phase AC 400 V Class</li> </ul>
5	Rated Output Current
6	EMC noise filter (Finless-type drives do not have built-in EMC filters) <ul style="list-style-type: none"> <li>• A: Standard (No built-in EMC filter)</li> </ul>
7	Enclosure Protection Design <ul style="list-style-type: none"> <li>• J: Finless (IP20/UL Open Type)</li> </ul>
8	Environmental specification <ul style="list-style-type: none"> <li>• A: Standard</li> <li>• K: Gas-resistant</li> <li>• M: Humidity-resistant and dust-resistant</li> <li>• N: Oil-resistant</li> <li>• P: Humidity-resistant, dust-resistant, and vibration-resistant</li> <li>• S: Vibration-resistant</li> </ul> <p><b>Note:</b> Drives with these specifications do not guarantee complete protection for the environmental conditions shown.</p>
9	Design revision order



## 5 Conditions

Obey the installation conditions specified in this guide to take full advantage of the finless design of this drive.

### ◆ Installation Environment

The installation environment is important for the lifespan of the product and to make sure that the drive performance is correct. Make sure that the installation environment agrees with the specifications shown in [Table 5.1](#).

**Table 5.1 Installation Environment**

Environment	Conditions
Area of Use	Indoors, inside enclosure panel
Power Supply	Overvoltage Category III (IEC60664)
Ambient Temperature Setting	<p>-10 °C to +35 °C (14 °F to 95 °F)</p> <ul style="list-style-type: none"> <li>• Drive reliability is better in environments where the temperature does not increase or decrease quickly.</li> <li>• When you install the drive in an enclosure, use a cooling fan or air conditioner to keep the internal air temperature in the permitted range.</li> <li>• Do not let the drive freeze.</li> <li>• You can use finless-type drives at a maximum of +50 °C (122 °F) when you derate the output current. <sup>*</sup></li> </ul>
Humidity	<p>95%RH or less</p> <p>Do not let condensation form on the drive.</p>
Storage Temperature	-20 °C to +70 °C (-4 °F to +158 °F) (short-term temperature during transportation)
Surrounding Area	<p>Pollution degree 2 or less (IEC 60664-1)</p> <p>Install the drive in an area without:</p> <ul style="list-style-type: none"> <li>• Oil mist, corrosive or flammable gas, or dust</li> <li>• Metal powder, oil, water, or other unwanted materials</li> <li>• Radioactive or flammable materials.</li> <li>• Harmful gas or fluids</li> <li>• Salt</li> <li>• Direct sunlight</li> </ul> <p>Keep wood and other flammable materials away from the drive.</p>

Environment	Conditions
Altitude	1000 m (3281 ft) Maximum <b>Note:</b> Derate the output current by 1% for each 100 m (328 ft) to install the drive in altitudes between 1000 m to 4000 m (3281 ft to 13123 ft). It is not necessary to derate the rated voltage in these conditions: <ul style="list-style-type: none"> <li>• When you install the drive at 2000 m (6562 ft) or lower</li> <li>• When you install the drive between 2000 m to 4000 m (6562 ft to 13123 ft) and ground the neutral point on the power supply. Contact Yaskawa or your nearest sales representative if you will not ground the neutral point.</li> </ul>
Vibration	<ul style="list-style-type: none"> <li>• 10 Hz to 20 Hz: 1 G (9.8 m/s<sup>2</sup>, 32.15 ft/s<sup>2</sup>)</li> <li>• 20 Hz to 55 Hz: 0.6 G (5.9 m/s<sup>2</sup>, 19.36 ft/s<sup>2</sup>)</li> </ul>
Installation Orientation	Install the drive vertically for sufficient airflow to cool the drive.

\*1 Refer to [Derating Depending on Ambient Temperature on page 20](#) for information.

**NOTICE** Do not put drive peripheral devices, transformers, or other electronics near the drive. Shield the drive from electrical interference if components must be near the drive. Components near the drive can cause incorrect drive operation from electrical interference.

**NOTICE** Do not let unwanted objects, for example metal shavings or wire clippings, fall into the drive during drive installation. Put a temporary cover over the drive during installation. Remove the temporary cover before start-up. Unwanted objects inside of the drive can cause damage to the drive.

## ◆ Heatsink Plate Temperature

**CAUTION** Burn Hazard. Do not touch a hot drive heatsink or external heatsink. Yaskawa recommends that you show a high temperature warning mark or warning sign on the external heatsink. If you touch a hot drive heatsink plate or external heatsink, it can burn you.

Keep the drive heatsink plate temperature lower than the maximum temperature even when the ambient temperature is 50 °C (122 °F). Refer to [Table 5.2](#) for the maximum temperature of the heatsink plate. When you operate the drive in an ambient temperature of 35 °C (95 °F) or higher, refer to [Derating Depending on Ambient Temperature on page 20](#) and derate the drive.

**Table 5.2 Maximum Temperature of the Heatsink Plate**

Model	Maximum Temperature of the Heatsink Plate
B001 - B012	90 °C (194 °F)
2001 - 2021	90 °C (194 °F)
2030 - 2070	80 °C (176 °F)

Model	Maximum Temperature of the Heatsink Plate
4001 - 4012	90 °C (194 °F)
4018 - 4038	80 °C (176 °F)

Refer to *Drive Watt Loss on page 13* for the drive watt loss data.

Refer to *Monitor Heatsink Plate Temperature on page 11* to monitor drive heatsink plate temperature.

### ■ Monitor Heatsink Plate Temperature

- When you use the drive keypad  
Set *U4-08 [Heatsink Temperature]* to show the drive heatsink temperature.

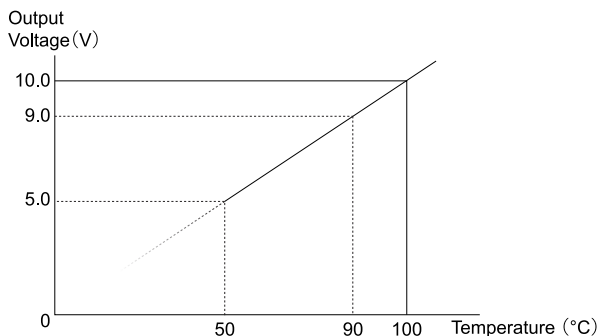


**Figure 5.1 U4-08 [Heatsink Temperature] (When the heatsink plate is 89 °C)**

- When you use a Multi-function Analog Monitor Output  
When you use terminal AM, set the parameters as shown in [Table 5.3](#).

**Table 5.3 MFAO Settings**

Parameter	Name	Setting
H4-01	Terminal AM Analog Output Select	408 ( <i>U4-08</i> )
H4-02	Terminal AM Analog Output Gain	100.0%
H4-03	Terminal AM Analog Output Bias	0.0%



**Figure 5.2 Heatsink Plate Temperature Output on MFAO**

**Note:**

- The accuracy is  $\pm 5$  °C (41 °F) for heatsink plate temperatures between 50 °C to 100 °C (122 °F to 212 °F).
- The installation environment has an effect on the temperature.

### ■ Overheat Alarm Level

If the heatsink temperature is more than the temperature set in *L8-02 [Overheat Alarm Level]*, the drive detects *oH [Heatsink Overheat]*. To enable this function, set one of *H2-0x [MFDO Function Select]* to *20 [Drive Overheat Pre-Alarm (oH)]*.

Use *L8-03 [Overheat Alarm Level]* to set the operation when the drive detects *oH [Heatsink Overheat]*.

Refer to the drive Technical Manual for more information.

### ◆ Surface Finish of Metal Surface

Make sure that the metal surface to which you will install the drive meets these specifications:

- Flatness:  $\leq 0.2$  mm (0.0078 in)
- Roughness:  $\leq 25$  S

**Note:**

A roughness of 25 S means that the average roughness “Ra” is 6.3  $\mu$ m and the maximum peak “Rz” is 25  $\mu$ m.

### ◆ Thermal Compound

The thermal compound bonds the heating and cooling elements to each other and increases thermal transfer.

Apply the thermal compound between the heatsink plate and the mating surface. The applicable thermal compound is different for different external heatsinks. When you select and apply a thermal compound, contact the thermal compound manufacturer for additional information.

[Table 5.4](#) shows an example of thermal compound selection.

**Table 5.4 Example of Thermal Compound Selection**

Manufacturer	Type	Model	Application Amount (Thickness)
Shin-Etsu Chemical Co., Ltd.	Oil-based compound	X-23-7795	100 $\mu$ m - 250 $\mu$ m <sup>*1</sup>

\*1 The thickness can change with the condition of the metal surface.

### ◆ Installation Position and Clearances

Use the clearances specified in [Figure 5.3](#) to install the drive. Make sure that there is sufficient space for wiring and airflow.

Tightly push the drive heatsink plate against the metal surface (enclosure panel) for correct thermal transfer between the drive and the metal surface.

**Note:**

You cannot install finless-type drives side-by-side.

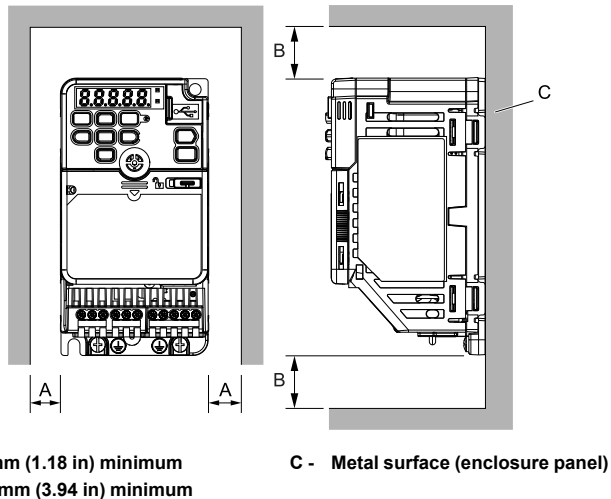


Figure 5.3 Installation Clearances

### ◆ Drive Watt Loss

#### ■ Heavy Duty Rating (HD): Carrier Frequency = 2 kHz

Table 5.5 Single-Phase 200 V Class (Finless-Type Drive)

Drive Model	Rated Output Current (A)	Carrier Frequency (kHz)	Drive Watt Loss (W)		
			Interior Unit Loss	Heatsink Plate Loss ( $P_{Loss}$ )	Total Loss
B001	0.8	2	7	4	11
B002	1.6	2	10	7	17
B004	3	2	13	13	26
B006	5	2	17	23	40
B010	8	2	30	37	67
B012	11	2	40	48	88

**Table 5.6 Three-Phase 200 V Class (Finless-Type Drive)**

Drive Model	Rated Output Current (A)	Carrier Frequency (kHz)	Drive Watt Loss (W)		
			Interior Unit Loss	Heatsink Plate Loss (P <sub>Loss</sub> )	Total Loss
2001	0.8	2	6	4	10
2002	1.6	2	7	7	14
2004	3.0	2	9	13	22
2006	5.0	2	13	22	35
2008	6.9	2	14	30	44
2010	8.0	2	17	37	54
2012	11.0	2	23	49	72
2018	14.0	2	26	61	87
2021	17.6	2	36	83	119
2030	25.0	2	46	139	185
2042	33.0	2	67	175	242
2056	47.0	2	95	284	379
2070	60.0	2	157	377	534

**Table 5.7 Three-Phase 400 V Class (Finless-Type Drive)**

Drive Model	Rated Output Current (A)	Carrier Frequency (kHz)	Drive Watt Loss (W)		
			Interior Unit Loss	Heatsink Plate Loss (P <sub>Loss</sub> )	Total Loss
4001	1.2	2	8	7	15
4002	1.8	2	10	10	20
4004	3.4	2	13	21	34
4005	4.8	2	15	29	44
4007	5.6	2	16	33	49
4009	7.3	2	21	45	66
4012	9.2	2	27	60	87
4018	14.8	2	44	105	149

Drive Model	Rated Output Current (A)	Carrier Frequency (kHz)	Drive Watt Loss (W)		
			Interior Unit Loss	Heatsink Plate Loss (P <sub>Loss</sub> )	Total Loss
4023	18	2	76	146	220
4031	24	2	62	167	229
4038	31	2	89	222	311

■ **Heavy Duty Rating (HD): Carrier Frequency = Default Setting**

**Table 5.8 Single-Phase 200 V Class (Finless-Type Drive)**

Drive Model	Rated Output Current (A)	Carrier Frequency (kHz)	Drive Watt Loss (W)		
			Interior Unit Loss	Heatsink Plate Loss (P <sub>Loss</sub> )	Total Loss
B001	0.8	10	8	5	13
B002	1.6	10	10	9	19
B004	3	10	14	16	30
B006	5	10	18	28	46
B010	8	8	31	42	73
B012	11	8	41	55	96

**Table 5.9 Three-Phase 200 V Class (Finless-Type Drive)**

Drive Model	Rated Output Current (A)	Carrier Frequency (kHz)	Drive Watt Loss (W)		
			Interior Unit Loss	Heatsink Plate Loss (P <sub>Loss</sub> )	Total Loss
2001	0.8	10	6	5	11
2002	1.6	10	7	8	15
2004	3.0	10	10	16	26
2006	5.0	10	14	27	41
2008	6.9	8	15	35	50
2010	8.0	8	18	43	61
2012	11.0	8	24	56	80

Drive Model	Rated Output Current (A)	Carrier Frequency (kHz)	Drive Watt Loss (W)		
			Interior Unit Loss	Heatsink Plate Loss (P <sub>Loss</sub> )	Total Loss
2018	14.0	8	30	82	112
2021	17.6	8	40	108	148
2030	25.0	8	50	163	214
2042	33.0	8	73	212	285
2056	47.0	8	108	347	455
2070	60.0	8	171	455	626

Table 5.10 Three-Phase 400 V Class (Finless-Type Drive)

Drive Model	Rated Output Current (A)	Carrier Frequency (kHz)	Drive Watt Loss (W)		
			Interior Unit Loss	Heatsink Plate Loss (P <sub>Loss</sub> )	Total Loss
4001	1.2	8	9	11	20
4002	1.8	8	11	16	27
4004	3.4	8	15	31	46
4005	4.8	8	18	42	60
4007	5.6	8	18	49	67
4009	7.3	8	25	65	90
4012	9.2	8	32	85	117
4018	14.8	8	52	149	201
4023	18	8	92	207	299
4031	24	8	75	240	315
4038	31	8	108	319	427



## ■ Normal Duty Rating (ND)

**Table 5.11 Single-Phase 200 V Class (Finless-Type Drive)**

Drive Model	Rated Output Current (A)	Carrier Frequency (kHz)	Drive Watt Loss (W)		
			Interior Unit Loss	Heatsink Plate Loss (P <sub>Loss</sub> )	Total Loss
B001	1.2	2	8	6	14
B002	1.9	2	14	11	25
B004	3.5	2	14	17	31
B006	6.0	2	17	26	43
B010	9.6	2	36	50	86
B012	12.2	2	48	60	108

**Table 5.12 Three-Phase 200 V Class (Finless-Type Drive)**

Drive Model	Rated Output Current (A)	Carrier Frequency (kHz)	Drive Watt Loss (W)		
			Interior Unit Loss	Heatsink Plate Loss (P <sub>Loss</sub> )	Total Loss
2001	1.2	2	7	5	12
2002	1.9	2	9	9	18
2004	3.5	2	11	16	27
2006	6	2	14	25	39
2008	8	2	18	37	55
2010	9.6	2	25	51	76
2012	12.2	2	30	61	91
2018	17.5	2	35	82	117
2021	21	2	52	111	163
2030	30	2	59	175	234
2042	42	2	101	250	351
2056	56	2	127	357	484
2070	70	2	202	455	657

**Table 5.13 Three-Phase 400 V Class (Finless-Type Drive)**

Drive Model	Rated Output Current (A)	Carrier Frequency (kHz)	Drive Watt Loss (W)		
			Interior Unit Loss	Heatsink Plate Loss (P <sub>Loss</sub> )	Total Loss
4001	1.2	2	8	7	15
4002	2.1	2	13	12	25
4004	4.1	2	14	24	38
4005	5.4	2	16	32	48
4007	7.1	2	20	44	64
4009	8.9	2	28	58	86
4012	11.9	2	39	83	122
4018	17.5	2	58	146	203
4023	23.4	2	81	204	286
4031	31	2	99	259	357
4038	38	2	141	319	460

### ◆ Screw Sizes and Tightening Torques

Table 5.14 shows the correct screw sizes and tightening torques to safety the drive to a metal surface (enclosure panel).

**Table 5.14 Screw Sizes and Tightening Torques**

Drive Model	Screw Size	Tightening Torque N-m (lbf-in)
B001 - B012	M5	2.0 - 2.5 (17.7 - 22.1)
2001 - 2021	M5	2.0 - 2.5 (17.7 - 22.1)
2030 - 2056	M5	2.0 - 2.5 (17.7 - 22.1)
2070	M6	4.0 - 5.0 (35.4 - 44.3)

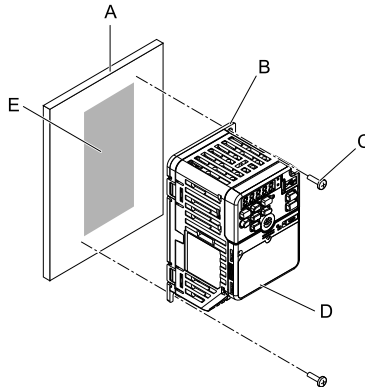
Drive Model	Screw Size	Tightening Torque N·m (lbf·in)
4001 - 4012	M5	2.0 - 2.5 (17.7 - 22.1)
4018 - 4038	M5	2.0 - 2.5 (17.7 - 22.1)

**NOTICE** *Damage to Equipment. Tighten the screws to the specified tightening torque. Incorrect tightening torque can cause too much heat and damage to the drive.*

### ◆ Install the Drive

Apply the thermal compound across the full surface of the application area on the heatsink. Tightly push the drive against the metal surface (enclosure panel).

Clean off the unwanted thermal compound from around the drive perimeter.



A - Metal surface (enclosure panel)

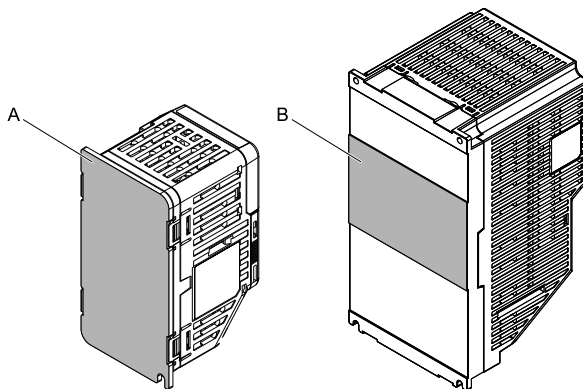
B - Heatsink plate

C - Screws

D - Finless-type drive

E - Drive mounting area

**Figure 5.4 Install the Drive**



**A - Application area (B001 to B012, 2001 to 2021, 4001 to 4012)**

**B - Application area (2030 to 2070, 4018 to 4038)**

**Figure 5.5 Thermal Compound Application Area**

**Note:**

You can mill the metal surface to be more flat and use less thermal compound. Recommended flatness is 0.05 mm (0.00197 in) or less. After you mill the metal surface, tightly push the drive against it.

### ◆ Derating Depending on Ambient Temperature

When you install drives in an area where ambient temperatures are higher than the rated conditions, set *L8-12 [Ambient Temperature Setting]* and *L8-35 [Installation Method Selection]*. Derate the output current as specified in [Figure 5.6](#).

No. (Hex.)	Name	Description	Default (Range)
L8-12 (04B8)	Ambient Temperature Setting	<div style="display: flex; gap: 10px;"> <span>V/f</span> <span>OLV</span> <span>OLV/PM</span> <span>AOLV/PM</span> <span>EZOLV</span> </div> Sets the ambient temperature of the drive installation area.	40 °C (-10 °C - +60 °C)

No. (Hex.)	Name	Description	Default (Range)
L8-35 (04EC)	Installation Method Selection	<div style="display: flex; gap: 10px;"> <span>V/f</span> <span>OLV</span> <span>OLV/PM</span> <span>AOLV/PM</span> <span>EZOLV</span> </div> Sets the type of drive installation.	3 (0 - 3)

### 0 : IP20/UL Open Type

Use this setting to install IP20/UL Open Type drives.

Make sure that there is 30 mm (1.18 in) minimum of space between drives or between the drive and side of the enclosure panel.

### 1 : Side-by-Side Mounting

Use this setting to install more than one drive side-by-side.

You cannot install finless-type drives side-by-side.

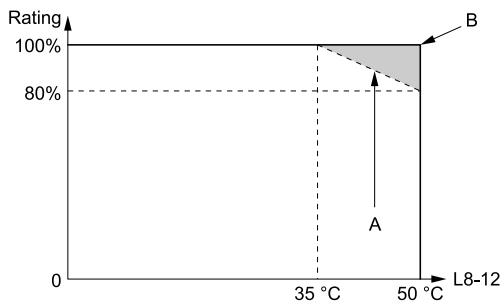
### 2 : IP20/UL Type 1

Use this setting to install IP20/UL Type 1 drives.

You cannot install a UL Type 1 Kit (optional) on a finless-type drive.

### 3 : External Heatsink/Finless

Use this setting when the heatsink (cooling fin) is outside the enclosure panel or when you install a finless-type drive.



A - L8-35 = 3 [External Heatsink/Finless] (default setting)

B - L8-35 = 0 [IP20/UL Open Type] (0.5 m/s of airflow around the drive is necessary)

Figure 5.6 Derating Depending on Drive Installation Method

## 6 Maintenance

### ◆ Part Replacement Guidelines

Table 6.1 shows the standard replacement period for replacement parts. When you replace these parts, make sure that you use Yaskawa replacement parts for the applicable model and design revision number of your drive.

Table 6.1 Standard Replacement Period

Parts	Standard Replacement Period
Electrolytic Capacitor	10 years <sup>*1</sup>

\*1 If there is damage to parts that you cannot repair or replace, replace the drive.

## 7 Drive Exterior and Mounting Dimensions

### Note:

Performance life estimate is based on these use conditions. These conditions are provided for the purpose of replacing parts to maintain performance. Unsatisfactory conditions or heavy use will make it necessary for you to replace some parts more frequently than other parts.

- Ambient temperature: Yearly average of 35 °C (95 °F)
- Load factor: 80%
- Operating rate: 24 hours a day

## 7 Drive Exterior and Mounting Dimensions

### ◆ B001 to B004, 2001 to 2006

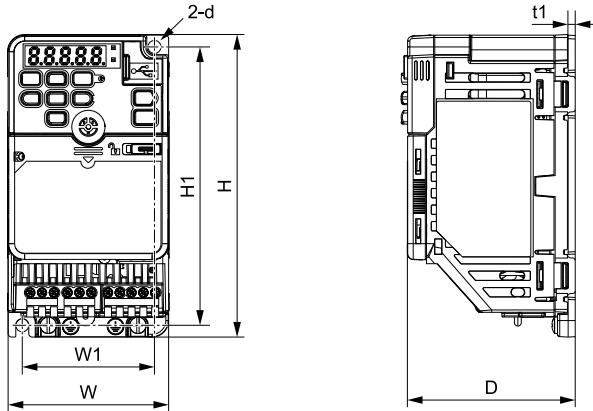


Figure 7.1 Exterior and Mounting Dimensions

Table 7.1 Single-Phase 200 V Class (Finless-Type Drive)

Model	Dimensions mm (in)							Est. Weight kg (lb)
	W	H	D	W1	H1	t1	d	
B001	68 (2.68)	128 (5.04)	71 (2.80)	56 (2.20)	118 (4.65)	3 (0.12)	M5	0.6 (1.32)
B002	68 (2.68)	128 (5.04)	71 (2.80)	56 (2.20)	118 (4.65)	3 (0.12)	M5	0.6 (1.32)
B004	68 (2.68)	128 (5.04)	81 (3.19)	56 (2.20)	118 (4.65)	3 (0.12)	M5	0.6 (1.32)

Table 7.2 Three-Phase 200 V Class (Finless-Type Drive)

Model	Dimensions mm (in)							Est. Weight kg (lb)
	W	H	D	W1	H1	t1	d	
2001	68 (2.68)	128 (5.04)	71 (2.80)	56 (2.20)	118 (4.65)	3 (0.12)	M5	0.6 (1.32)
2002	68 (2.68)	128 (5.04)	71 (2.80)	56 (2.20)	118 (4.65)	3 (0.12)	M5	0.6 (1.32)
2004	68 (2.68)	128 (5.04)	71 (2.80)	56 (2.20)	118 (4.65)	3 (0.12)	M5	0.6 (1.32)
2006	68 (2.68)	128 (5.04)	71 (2.80)	56 (2.20)	118 (4.65)	3 (0.12)	M5	0.6 (1.32)

## ◆ B006 to B012, 2008 to 2021, 4001 to 4012

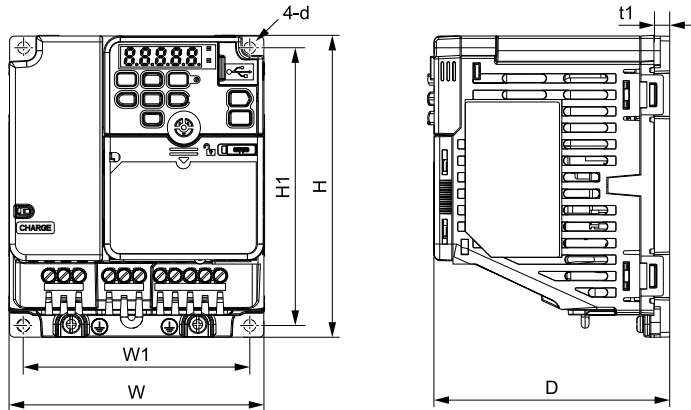


Figure 7.2 Exterior and Mounting Dimensions

**Table 7.3 Single-Phase 200 V Class (Finless-Type Drive)**

Model	Dimensions mm (in)							Est. Weight kg (lb)
	W	H	D	W1	H1	t1	d	
B006	108 (4.25)	128 (5.04)	81 (3.19)	96 (3.78)	118 (4.65)	4 (0.16)	M5	0.9 (1.98)
B010	108 (4.25)	128 (5.04)	92.5 (3.64)	96 (3.78)	118 (4.65)	4 (0.16)	M5	1.0 (2.20)
B012	140 (5.51)	128 (5.04)	98 (3.86)	128 (5.04)	118 (4.65)	4 (0.16)	M5	1.2 (2.65)

**Table 7.4 Three-Phase 200 V Class (Finless-Type Drive)**

Model	Dimensions mm (in)							Est. Weight kg (lb)
	W	H	D	W1	H1	t1	d	
2008	108 (4.25)	128 (5.04)	72.5 (2.85)	96 (3.78)	118 (4.65)	4 (0.16)	M5	0.8 (1.76)
2010	108 (4.25)	128 (5.04)	72.5 (2.85)	96 (3.78)	118 (4.65)	4 (0.16)	M5	0.8 (1.76)
2012	108 (4.25)	128 (5.04)	81 (3.19)	96 (3.78)	118 (4.65)	4 (0.16)	M5	0.9 (1.98)
2018	140 (5.51)	128 (5.04)	78 (3.07)	128 (5.04)	118 (4.65)	4 (0.16)	M5	1.2 (2.65)
2021	140 (5.51)	128 (5.04)	78 (3.07)	128 (5.04)	118 (4.65)	4 (0.16)	M5	1.2 (2.65)

**Table 7.5 Three-Phase 400 V Class (Finless-Type Drive)**

Model	Dimensions mm (in)							Est. Weight kg (lb)
	W	H	D	W1	H1	t1	d	
4001	108 (4.25)	128 (5.04)	75 (2.95)	96 (3.78)	118 (4.65)	4 (0.16)	M5	0.8 (1.76)
4002	108 (4.25)	128 (5.04)	75 (2.95)	96 (3.78)	118 (4.65)	4 (0.16)	M5	0.8 (1.76)
4004	108 (4.25)	128 (5.04)	83.5 (3.29)	96 (3.78)	118 (4.65)	4 (0.16)	M5	0.9 (1.98)
4005	108 (4.25)	128 (5.04)	100 (3.94)	96 (3.78)	118 (4.65)	4 (0.16)	M5	1.0 (2.20)



Model	Dimensions mm (in)							Est. Weight kg (lb)
	W	H	D	W1	H1	t1	d	
4007	108 (4.25)	128 (5.04)	100 (3.94)	96 (3.78)	118 (4.65)	4 (0.16)	M5	1.0 (2.20)
4009	108 (4.25)	128 (5.04)	100 (3.94)	96 (3.78)	118 (4.65)	4 (0.16)	M5	1.0 (2.20)
4012	140 (5.51)	128 (5.04)	78 (3.07)	128 (5.04)	118 (4.65)	4 (0.16)	M5	1.2 (2.65)

◆ 2030 - 2070, 4018 - 4038

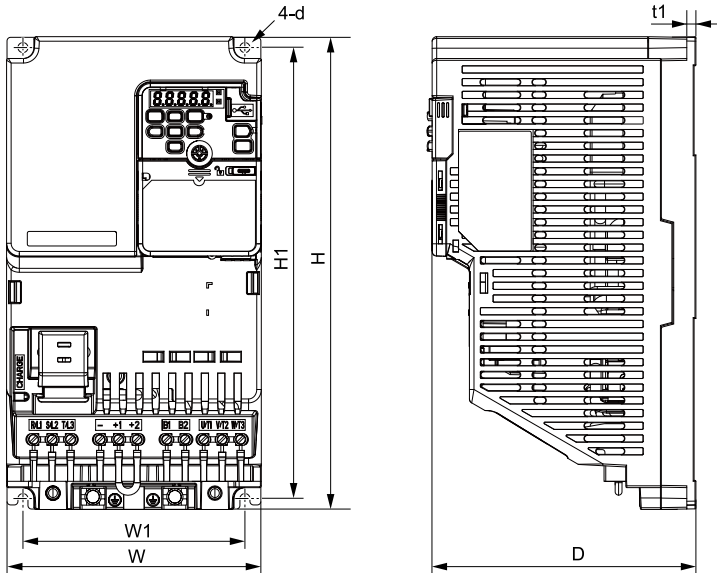


Figure 7.3 Exterior and Mounting Dimensions

**Table 7.6 Three-Phase 200 V Class (Finless-Type Drive)**

Model	Dimensions mm (in)							Est. Weight kg (lb)
	W	H	D	W1	H1	t1	d	
2030	140 (5.51)	260 (10.24)	145 (5.71)	122 (4.80)	248 (9.76)	5 (0.20)	M5	2.9 (6.39)
2042	140 (5.51)	260 (10.24)	145 (5.71)	122 (4.80)	248 (9.76)	5 (0.20)	M5	3.1 (6.83)
2056	180 (7.09)	300 (11.81)	147 (5.79)	160 (6.30)	284 (11.18)	5 (0.20)	M5	4.5 (9.92)
2070	220 (8.66)	350 (13.78)	152 (5.98)	192 (7.56)	336 (13.23)	5 (0.20)	M6	6.0 (13.23)

**Table 7.7 Three-Phase 400 V Class (Finless-Type Drive)**

Model	Dimensions mm (in)							Est. Weight kg (lb)
	W	H	D	W1	H1	t1	d	
4018	140 (5.51)	260 (10.24)	145 (5.71)	122 (4.80)	248 (9.76)	5 (0.20)	M5	2.6 (5.73)
4023	140 (5.51)	260 (10.24)	145 (5.71)	122 (4.80)	248 (9.76)	5 (0.20)	M5	2.8 (6.17)
4031	180 (7.09)	300 (11.81)	147 (5.79)	160 (6.30)	284 (11.18)	5 (0.20)	M5	4.1 (9.04)
4038	180 (7.09)	300 (11.81)	147 (5.79)	160 (6.30)	284 (11.18)	5 (0.20)	M5	4.3 (9.48)

## 8 External Heatsink Selection

This section gives information about how to select an applicable external heatsink.

## ◆ Necessary Data for External Heatsink Selection

Symbol	Description
$P_{Loss}$	Drive heatsink watt loss (W) <sup>*1</sup>
$T_{HSP\_max}$	<p>Maximum heatsink plate temperature            This is the temperature at the surface of the heatsink plate. Set <i>U4-08 [Heatsink Temperature]</i> to monitor the drive heatsink temperature.            Maximum temperatures are different for different models.</p> <ul style="list-style-type: none"> <li>• B001 - B012: 90 °C (194 °F)</li> <li>• 2001 - 2021: 90 °C (194 °F)</li> <li>• 2030 - 2070: 80 °C (176 °F)</li> <li>• 4001 - 4012: 90 °C (194 °F)</li> <li>• 4018 - 4038: 80 °C (176 °F)</li> </ul>
$T_{Amb}$	Ambient temperature of the external heatsink
$R\theta_{HSP}$	<p>Drive heatsink plate thermal resistance            This value is 0.05 K/W.</p>
$R\theta_{HSP-EHS}$	<p>You can use the formula to calculate thermal resistance between the drive heatsink plate and the external heatsink.</p> $R\theta_{HSP-EHS} = \frac{d_{Comp}}{\lambda_{Comp} \cdot A_{th}}$
	<p><math>A_{th}</math></p> <p>Heat transfer area between drive heatsink plate and external heatsink</p> <p><b>Note:</b>            Heat generation across the drive heatsink plate is not equal because of the arrangement of internal components. The effective area for thermal transfer is only 70% of the drive heatsink plate area.            Use the H and W values of the drive exterior dimensions <sup>*2</sup> to calculate the area of the drive heatsink plate.</p>
	<p><math>\lambda_{Comp}</math></p> <p>Thermal conductivity of the thermal compound</p>
	<p><math>d_{Comp}</math></p> <p>Thickness of the thermal compound (when applied)</p>
$R\theta_{EHS}$	Thermal Resistance of the external heatsink

\*1 Refer to *Drive Watt Loss on page 13* for information.

\*2 Refer to *Drive Exterior and Mounting Dimensions on page 22* for information.

## ◆ External Heatsink Selection Methods

Keep the drive heatsink plate temperature lower than the maximum temperature in all ambient temperatures. Select an applicable external heatsink for your application.

Figure 8.1 shows the thermal transfer principle from the drive heatsink plate to the ambient air of the external heatsink.

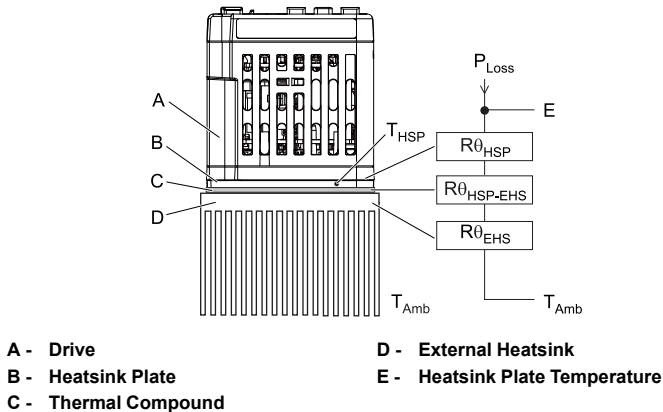


Figure 8.1 Thermal Equivalent Circuit Diagram

### ■ Select External Heatsink by Thermal Resistance

Use the formula to calculate the maximum thermal resistance  $R\theta_{EHS\_max}$  of the external heatsink.

$$R\theta_{EHS\_max} = \left( \frac{T_{HSP\_max} - T_{Amb}}{P_{Loss}} - R\theta_{HSP} - R\theta_{HSP-EHS} \right)$$

Select an external heatsink with a smaller thermal resistance than  $R\theta_{EHS\_max}$ .

Make sure that the dimensions of the external heatsink are close to the drive dimensions ( $H \times W$ ). If the thermal resistance of the external heatsink is large, but the dimensions of the external heatsink are near the external dimensions of the drive, select one of these external heatsinks:

- External heatsink with more fins
- External heatsink with longer fin shape

Consider the installation environment of the drive and correct the thermal resistance  $R\theta_{EHS}$  of the external heatsink. Dust and unwanted material can decrease the cooling capacity of the external heatsink.

#### Note:

Apply correction factors to the thermal resistance values listed in the specification of the external heatsink in these cases. For details, contact the external heatsink manufacturer.

- The heatsink height and width dimensions are much larger than the drive heatsink plate dimensions.
- When you install multiple drives on one heatsink.

## ■ Examine Feasibility of the Selected External Heatsink

When you select an external heatsink, if installation conditions, for example installation space, limit your selection, use the formula to calculate the heatsink plate temperature and examine the external heatsink.

$$T_{\text{HSP}} = P_{\text{Loss}} \cdot (R\theta_{\text{HSP}} + R\theta_{\text{HSP-EHS}} + R\theta_{\text{EHS}}) + T_{\text{Amb}}$$

If  $T_{\text{HSP}}$  value is lower than the maximum temperature of the heatsink, you can use the selected external heatsink.

Refer to [Monitor Heatsink Plate Temperature on page 11](#) to monitor drive heatsink plate temperature.

## ◆ External Heatsink Selection

The examples show applicable heatsink selection for drive model 2006 when  $C6-01 = 1$  [*Normal / Heavy Duty Selection = Normal Duty Rating*].

These are examples of calculations for the external heatsink from MIZUTANI ELECTRIC IND.CO., LTD.

- Universal Type Heat Sink EF Series, EF (98) L:150 (thermal resistance  $R\theta_{\text{EHS}} = 1.6 \text{ K/W}$ )
- Universal Type Heat Sink EK Series, EK (95) L:150 (thermal resistance  $R\theta_{\text{EHS}} = 1.1 \text{ K/W}$ )

**Table 8.1 External Heatsink Selection**

Symbol	Value	
$P_{\text{Loss}}$	25.0 W	
$T_{\text{HSP\_max}}$	90 °C (194 °F)	
$T_{\text{Amb}}$	40 °C (104 °F)	
$R\theta_{\text{HSP}}$	0.05 K/W	
$R\theta_{\text{HSP-EHS}}$	$A_{\text{th}}$	H = 128 mm D = 68 mm $A_{\text{th}} = 0.7 \times 0.128 \text{ m} \times 0.068 \text{ m} = 6.1 \times 10^{-3} \text{ m}^2$
	$\lambda_{\text{Comp}}$	2.0 W/(m·K) Thermal conductivity of Oil-based compound X-23-7795 from Shin-Etsu Chemical Co., Ltd.
	$d_{\text{Comp}}$	100 μm Recommended compound thickness (when applied)
	$R\theta_{\text{HSP-EHS}} = \frac{100 \text{ μm}}{2.0 \text{ W/(m·K)} \times 6.1 \times 10^{-3} \text{ m}^2} = 0.008 \text{ K/W}$	

### ■ Select External Heatsink by Thermal Resistance

Replace the value of [Table 8.1](#) into the formula in *Select External Heatsink by Thermal Resistance on page 28*.

$$R\theta_{\text{EHS\_max}} = \left( \frac{90\text{ }^{\circ}\text{C} - 40\text{ }^{\circ}\text{C}}{25.0\text{ W}} - 0.05\text{ K/W} - 0.008\text{ K/W} \right) = 1.94\text{ K/W}$$

The thermal resistance of the external heatsink “EF(98) L: 150” is 1.6 K/W, so you can use it. Yaskawa recommends the external heatsink “EK (95) L: 150” to prevent overheat if there is a temporary temperature increase or a decrease in the cooling capacity of the external heatsink because of dust and unwanted material.

### ■ Examine Feasibility of the Selected External Heatsink

The thermal resistance of the external heatsink “EF (98) L: 150” is 1.6 K/W. You can use the formula to calculate the heatsink plate temperature.

$$T_{\text{HSP}} = 25.0\text{ W} \cdot (0.05\text{ K/W} + 0.008\text{ K/W} + 1.6\text{ K/W}) + 40\text{ }^{\circ}\text{C} = 81.45\text{ }^{\circ}\text{C}$$

The temperature of the heatsink plate is lower than the maximum value of 90 °C, so you can use it. Because the thermal transfer area is 70% of the drive mounting area, and the environmental conditions can change because dust and unwanted material can decrease the cooling capacity of the external heatsink, Yaskawa recommends “EK (95) L: 150” heatsink to achieve  $R\theta_{\text{EHS}} = 1.1\text{ K/W}$  ( $T_{\text{HSP}} = 68.95\text{ }^{\circ}\text{C}$ ).

## 9 Conditions of Acceptability

Machines and devices integrated with this product must satisfy the following conditions for compliance with UL standards.

Refer to the manuals packaged with the drive for additional UL compliance requirements.

1. Install finless-type drives into a ventilated enclosure with a minimum enclosure volume shown in [Table 9.1](#).

**Table 9.1 Minimum Enclosure Volume**

Model	Minimum Volume cm <sup>3</sup> (in <sup>3</sup> )
B001 - B006 2001 - 2012	9850 (600)
B010 - B012 2018 - 2042 4001 - 4023	15750 (960)
2056 - 2070 4031, 4038	42000 (2560)

2. Keep the ambient temperature lower than 35 °C (95 °F) in your application.
3. Keep the drive heatsink plate temperature lower than the maximum temperature shown in [Table 9.2](#) in your application.  
Use *U4-08 [Heatsink Temperature]* to monitor the drive heatsink temperature.

**Table 9.2 Maximum Temperature of the Heatsink Plate**

Model	Maximum Temperature of the Heatsink Plate
B001 - B012	90 °C (194 °F)
2001 - 2021	90 °C (194 °F)
2030 - 2070	80 °C (176 °F)
4001 - 4012	90 °C (194 °F)
4018 - 4038	80 °C (176 °F)

4. Make sure that the metal surface to which you will install the drive meets these specifications:
  - Flatness:  $\leq 0.2$  mm (0.0078 in)
  - Roughness:  $\leq 25$  S
5. Make sure that there is sufficient space for wiring and airflow to cool the drive.
  - 30 mm (1.18 in) minimum from each side
  - 100 mm (3.94 in) minimum from top and bottom
6. The recommended thermal compound is X-23-7795 from Shin-Etsu Chemical Co., Ltd. Apply 100  $\mu$ m to 250  $\mu$ m of thermal compound over the full heatsink plate of the drive.
7. Use the correct screws to safely the drive to a metal surface (enclosure panel). [Table 9.3](#) shows the screw sizes and tightening torques.  
Monitor the temperature of the external heatsink at the top center of the junction between the external heatsink and the drive.

**Table 9.3 Screw Sizes and Tightening Torques**

Drive Model	Screw Size	Tightening Torque N·m (lbf·in)
B001 - B012	M5	2.0 - 2.5 (17.7 - 22.1)
2001 - 2021	M5	2.0 - 2.5 (17.7 - 22.1)
2030 - 2056	M5	2.0 - 2.5 (17.7 - 22.1)

<b>Drive Model</b>	<b>Screw Size</b>	<b>Tightening Torque N·m (lbf·in)</b>
2070	M6	4.0 - 5.0 (35.4 - 44.3)
4001 - 4012	M5	2.0 - 2.5 (17.7 - 22.1)
4018 - 4038	M5	2.0 - 2.5 (17.7 - 22.1)



## Revision History

Date of Publication	Revision Number	Section	Revised Content
September 2021	1	5, 7, 8	Addition: Larger drive capacities added along with corresponding data. <ul style="list-style-type: none"><li>• Three-Phase 200 V Class: CIPR-GA50x2030 to 2070</li><li>• Three-Phase 400 V Class: CIPR-GA50x4018 to 4038</li></ul>
		9	Addition: "Conditions of Acceptability"
November 2020	-	-	First Edition

# YASKAWA AC Drive GA500

## Finless-Type Drive

## Installation Manual

---

### DRIVE CENTER (INVERTER PLANT)

2-13-1, Nishimiyaichi, Yukuhashi, Fukuoka,  
824-8511, Japan  
Phone: +81-930-25-2548 Fax: +81-930-25-3431  
www.yaskawa.co.jp

### YASKAWA ELECTRIC CORPORATION

New Pier Takeshiba South Tower, 1-16-1, Kaigan,  
Minatoku, Tokyo, 105-6891, Japan  
Phone: +81-3-5402-4502 Fax: +81-3-5402-4580  
www.yaskawa.co.jp

### YASKAWA AMERICA, INC.

2121, Norman Drive South, Waukegan, IL 60085, U.S.A.  
Phone: +1-800-YASKAWA (927-5292) or +1-847-887-7000  
Fax: +1-847-887-7310  
www.yaskawa.com

### YASKAWA ELÉTRICO DO BRASIL LTDA.

777, Avenida Piraporinha, Diadema, São Paulo,  
09950-000, Brasil  
Phone: +55-11-3585-1100 Fax: +55-11-3585-1187  
www.yaskawa.com.br

### YASKAWA EUROPE GmbH

Hauptstraße 185, 65760 Eschborn, Germany  
Phone: +49-6196-569-300 Fax: +49-6196-569-398  
www.yaskawa.eu.com  
E-mail: info@yaskawa.eu.com

### YASKAWA ELECTRIC KOREA CORPORATION

35F, Three IFC, 10 Gukjegeumyung-ro,  
Yeongdeungpo-gu, Seoul, 07326, Korea  
Phone: +82-2-784-7844 Fax: +82-2-784-8495  
www.yaskawa.co.kr

### YASKAWA ASIA PACIFIC PTE. LTD.

30A, Kallang Place, #06-01, 339213, Singapore  
Phone: +65-6282-3003 Fax: +65-6289-3003  
www.yaskawa.com.sg

### YASKAWA ELECTRIC (THAILAND) CO., LTD.

59, 1F-5F, Flourish Building, Soi Ratchadapisek 18,  
Ratchadapisek Road, Huaykwang, Bangkok, 10310,  
Thailand  
Phone: +66-2-017-0099 Fax: +66-2-017-0799  
www.yaskawa.co.th

### YASKAWA ELECTRIC (CHINA) CO., LTD.

22F, Link Square 1, No.222, Hubin Road, Shanghai,  
200021, China  
Phone: +86-21-5385-2200 Fax: +86-21-5385-3299  
www.yaskawa.com.cn

### YASKAWA ELECTRIC (CHINA) CO., LTD. BEIJING OFFICE

Room 1011, Tower W3 Oriental Plaza, No. 1,  
East Chang An Avenue,  
Dong Cheng District, Beijing, 100738, China  
Phone: +86-10-8518-4086 Fax: +86-10-8518-4082

### YASKAWA ELECTRIC TAIWAN CORPORATION

12F, No. 207, Section 3, Beishin Road, Shindian District,  
New Taipei City 23143, Taiwan  
Phone: +886-2-8913-1333  
Fax: +886-2-8913-1513 or +886-2-8913-1519  
www.yaskawa.com.tw

### YASKAWA INDIA PRIVATE LIMITED

#17/A, Electronics City, Hosur Road, Bengaluru,  
560 100 (Karnataka), India  
Phone: +91-80-4244-1900 Fax: +91-80-4244-1901  
www.yaskawaindia.in

---

# YASKAWA

YASKAWA ELECTRIC CORPORATION

In the event that the end user of this product is to be the military and said product is to be employed in any weapons systems or the manufacture thereof, the export will fall under the relevant regulations as stipulated in the Foreign Exchange and Foreign Trade Regulations. Therefore, be sure to follow all procedures and submit all relevant documentation according to any and all rules, regulations and laws that may apply.

Specifications are subject to change without notice for ongoing product modifications and improvements.

© 2020 YASKAWA Electric Corporation



\*TOEPC7106170S\*

MANUAL NO. TOEP C710617 05B <1>->0  
Published in Japan September 2021  
20-2-22  
Original instructions.